



### OVERVIEW

- ✓ Inox Structure
- ✓ Multi layer insulation
- ✓ Kanthal A1 heating elements
- ✓ Controller with 32 programs and WiFi option
- ✓ S type thermocouple for type H kilns
- ✓ Inox control panel
- ✓ Lid side safety support
- ✓ Easily disassemble for carrying
- ✓ 3 year Warranty
- ✓ Technical Support Department
- ✓ Future expansion with extra ring

### Internal Dimensions:

Diameter 47cm X Height 46cm

**Volume:** 80 Litres

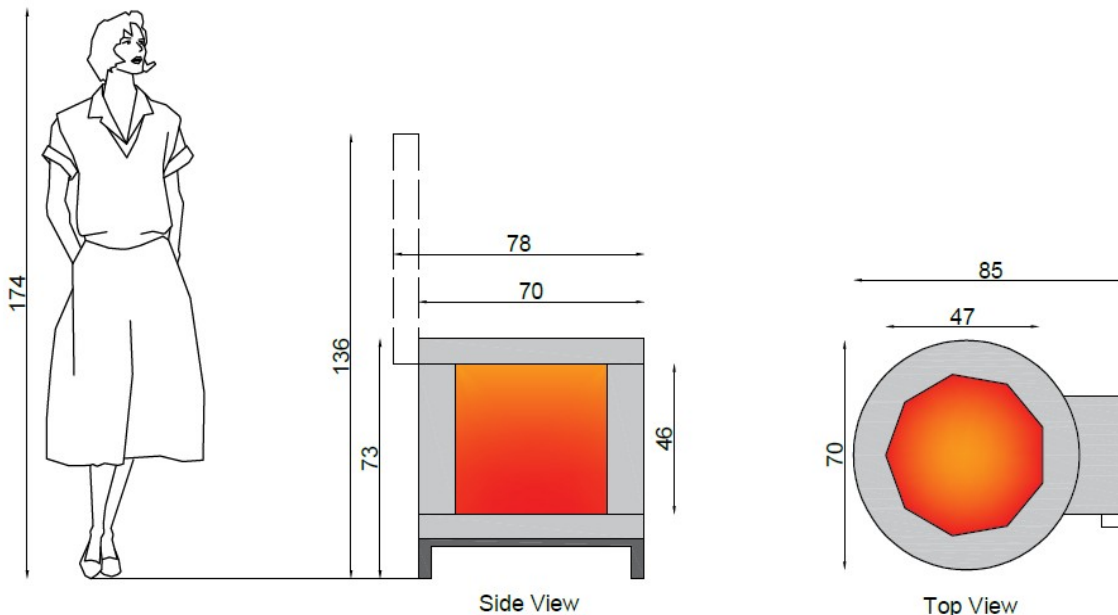
**Weight:** 100 Kgs

### External Dimensions:

Width 85cm X Length 70cm

Height 73cm (close lid)

136cm (open lid)



Click or Scan  
Kiln  
installation  
instructions



### Maximum operating temperature:

1200C / 2192F / Cone 5: Model MK80L

1250C / 2282F / Cone 7: Model MK80M

1300C / 2372F / Cone 10: Model MK80H

Please note:

All materials used for kiln construction are suitable for temperatures up to 1350C. Maximum operating temperature is set according to kiln installed power, and temperature control sensor (thermocouple)

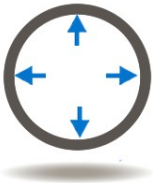
### Energy



Model	Power	Connection	Cable	Fuse	Plug
MK80L	5.5 kW	1 phase	3X10	35	220 1P+N+E 35A
		3 phases	5X2.5	16	220 3P+N+E 16A
MK80M & H	6.5 kW	1 phase	3X10	35	220 1P+N+E 35A
		3 phases	5X2.5	16	220 3P+N+E 16A

A separate power supply with fuse protection must be installed. We suggest a fixed power connection instead of a plug. In case of a plug connection a residual current protective devices (RCD) must be installed. However, an RCD carrying a tripping current of 0.03 A tend to trip early due to the high humidity of the fired goods. A larger sized RCD can be selected (we suggest 0.3 A) provided that the respective circuit is used only for the kiln.

### Capacity



#### Useful Dimensions:

Diameter: 47cm (polygon)

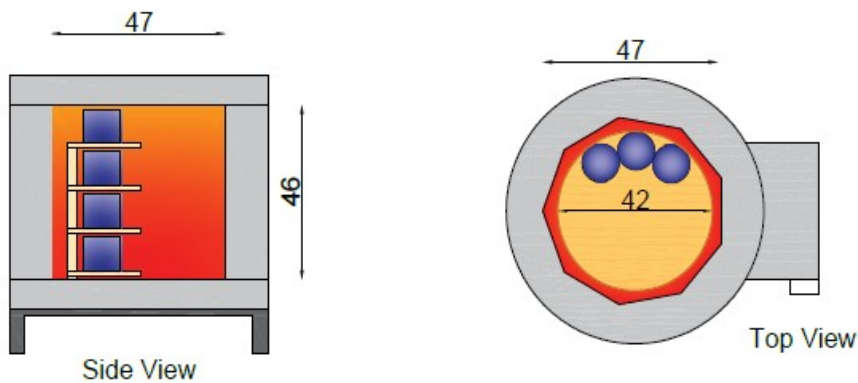
Height: 43cm


(excluding base shelf and supports)

#### Suitable kiln furniture:

Round and half round shelves  
Diameter 42cm

We recommend the use of G71 protective coating, to protect kiln shelves from glazes, fumes etc.



Sample dimensions:  Height 9cm  Diameter 10cm



Cup size  $\Phi$ 8.5cm



Plate size  $\Phi$ 23.5cm



Bowl size  $\Phi$ 35.5cm