



Kiln shown in photo: MK230

### OVERVIEW

- ✓ Inox Structure
- ✓ Multi layer insulation
- ✓ Kanthal A1 heating elements
- ✓ Controller with 32 programs and WiFi option
- ✓ Multi zone temperature control
- ✓ S type thermocouple for type H kilns
- ✓ Inox control panel
- ✓ Lid side safety support
- ✓ Easily disassemble for carrying
- ✓ 3 year Warranty
- ✓ Technical Support Department



### Internal Dimensions:

Diameter 65cm X Height 69cm

**Volume:** 229 Litres

**Weight:** 180 Kgs

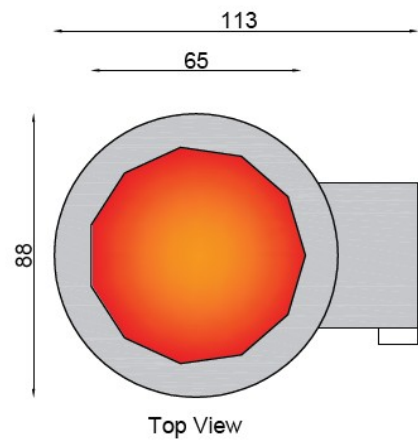
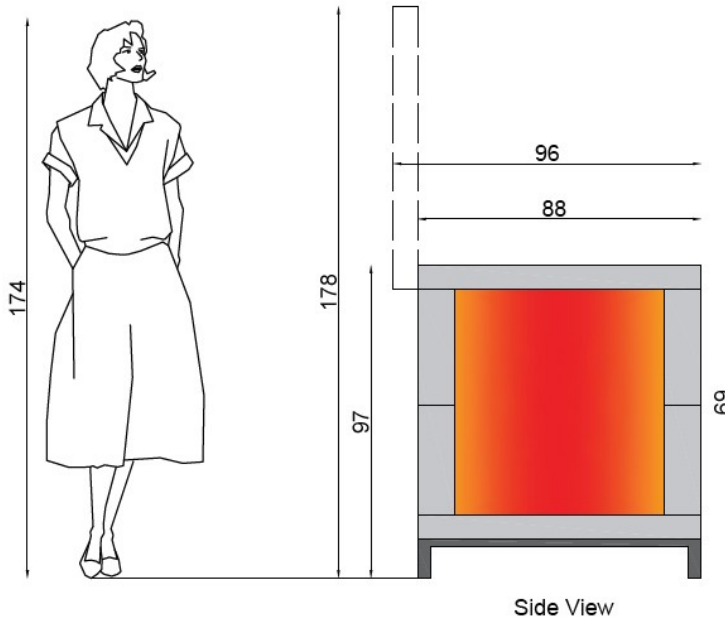
### External Dimensions:

Width 113cm X Length 88cm

Height 97cm (close lid)

178cm (open lid)

Click or Scan  
Kiln  
installation  
instructions



### Maximum operating temperature:

1200C / 2192F / Cone 5: Model MK230L

1250C / 2282F / Cone 7: Model MK230M

1300C / 2372F / Cone 10: Model MK230H

Please note:

All materials used for kiln construction are suitable for temperatures up to 1350C. Maximum operating temperature is set according to kiln installed power, and temperature control sensor (thermocouple)

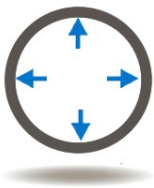
**Energy**



Model	Power	Connection	Cable	Fuse	Plug
MK230L	13 kW	3 phases	5X10	35	220 3P+N+E 35A
MK230M & H	14.5 kW	3 phases	5X10	35	220 3P+N+E 35A

A separate power supply with fuse protection must be installed. We suggest a fixed power connection instead of a plug. In case of a plug connection a residual current protective devices (RCD) must be installed. However, an RCD carrying a tripping current of 0.03 A tend to trip early due to the high humidity of the fired goods. A larger sized RCD can be selected (we suggest 0.3 A) provided that the respective circuit is used only for the kiln.

**Capacity**



**Useful Dimensions:**

Diameter: 65cm (polygon)

Height: 66cm

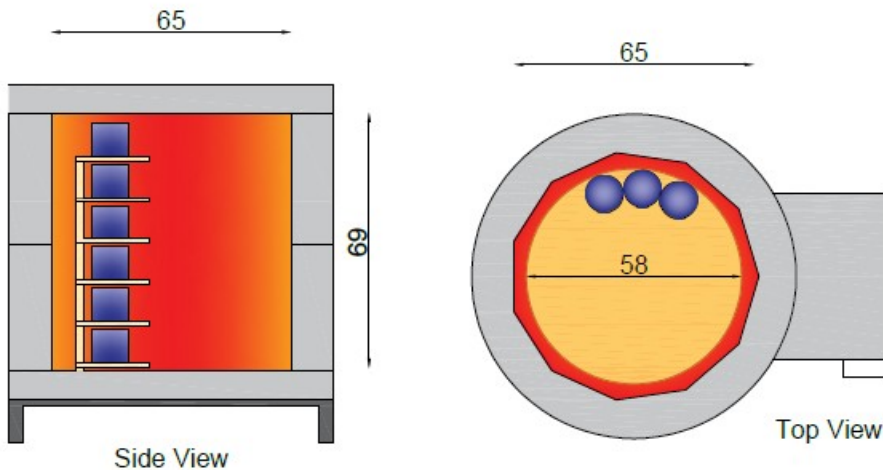
(excluding base shelf and supports)

**Suitable kiln furniture:**

Half round shelves

Diameter 58.4cm

We recommend the use of G71 protective coating, to protect kiln shelves from glazes, fumes etc.



Sample dimensions: Height 9cm Diameter 10cm



**Cup size  $\Phi$ 8.5cm**



**Plate size  $\Phi$ 23.5cm**



**Bowl size  $\Phi$ 35.5cm**